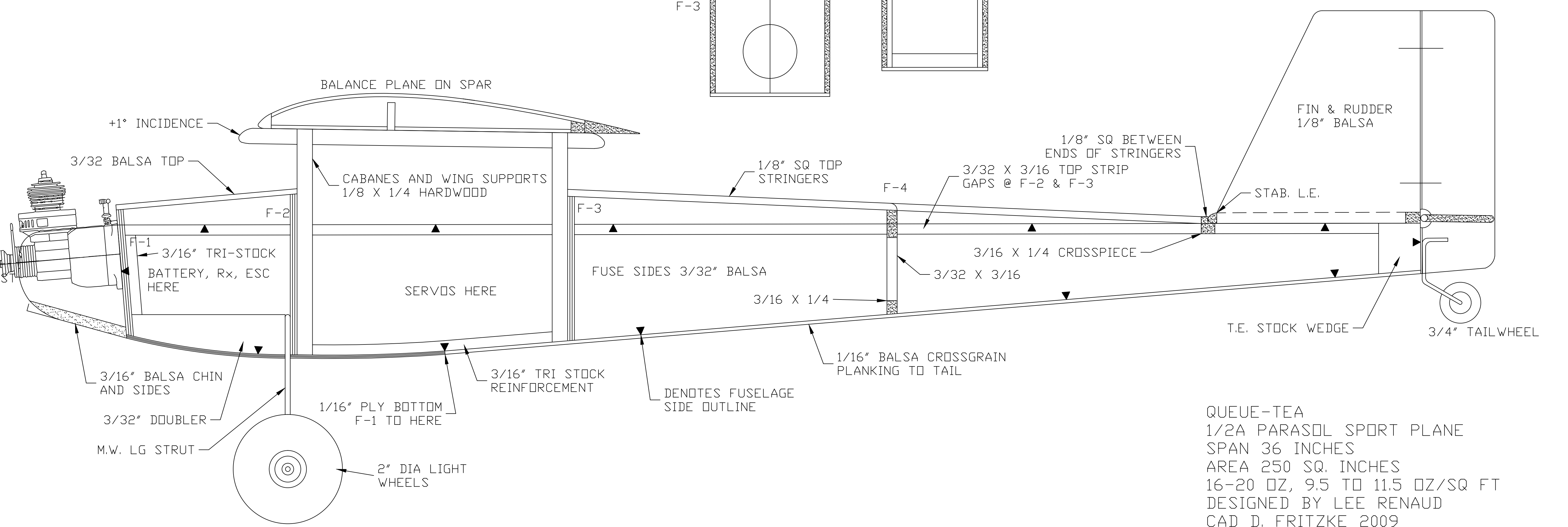
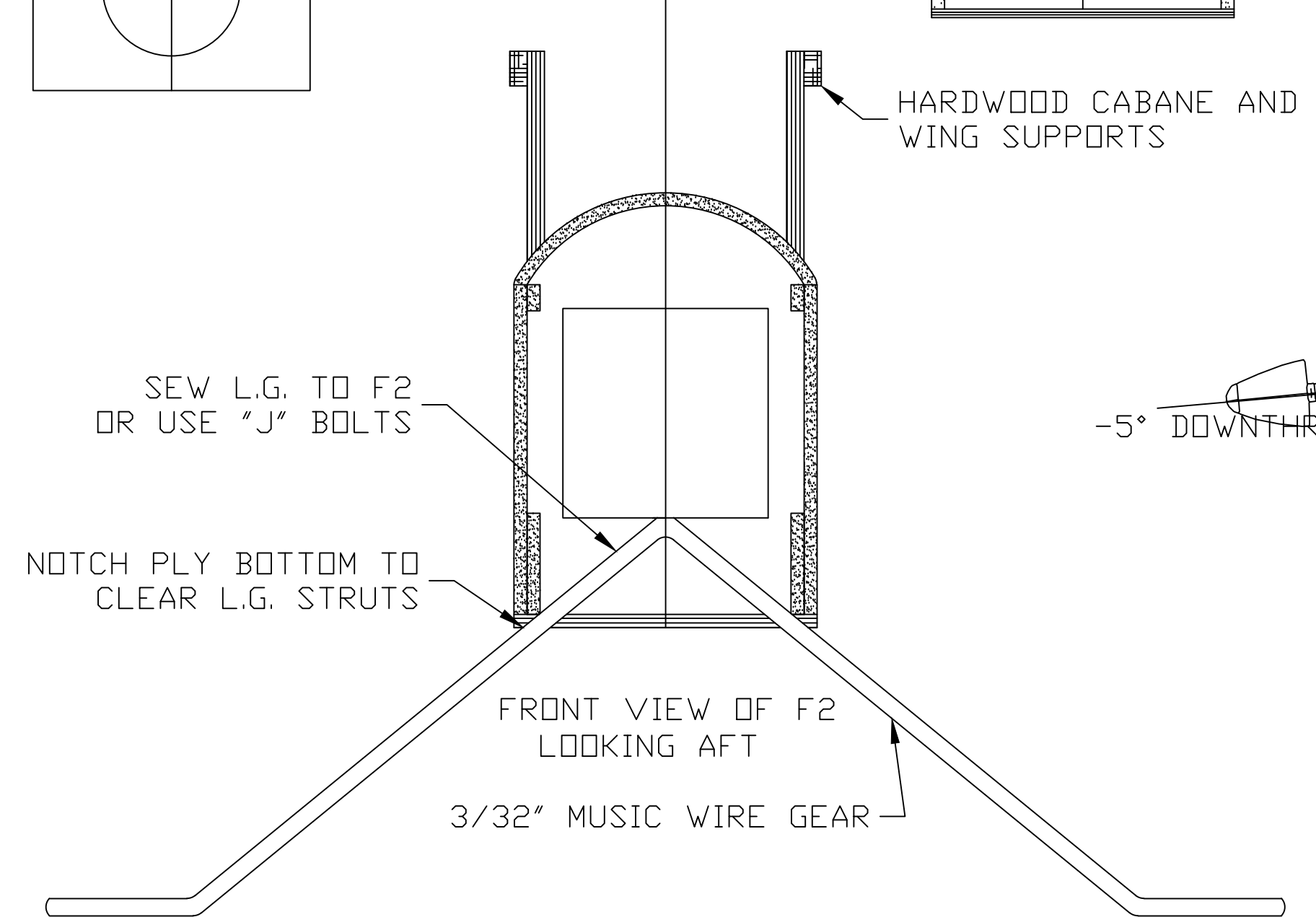
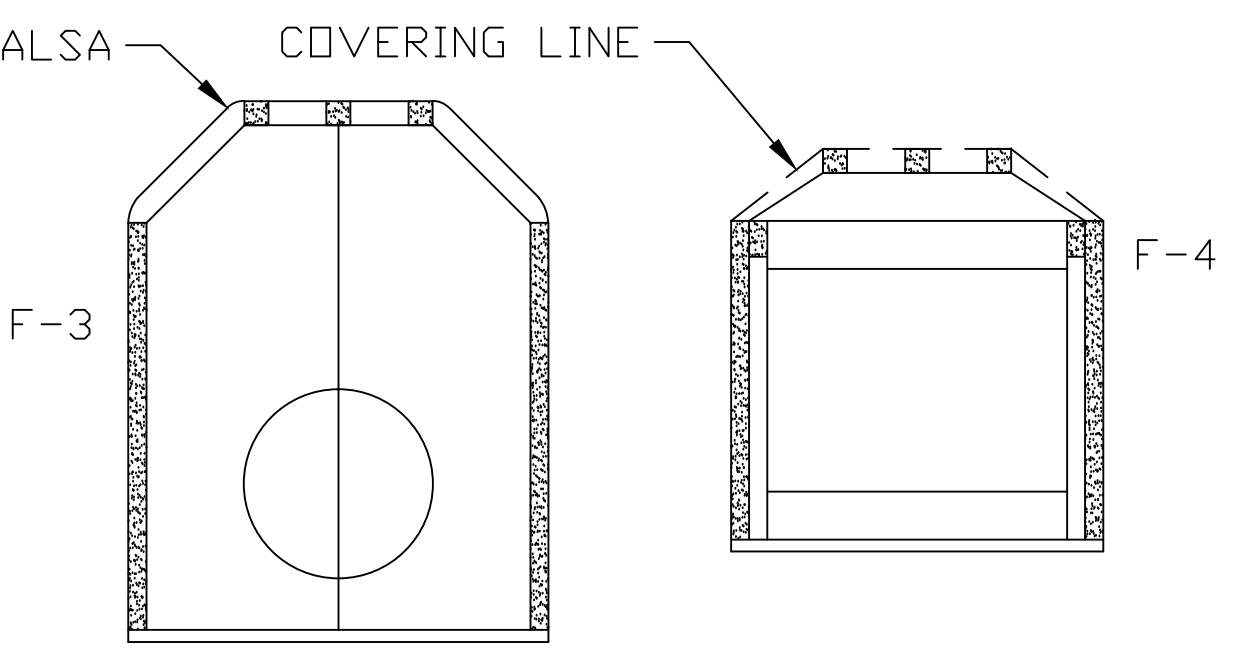
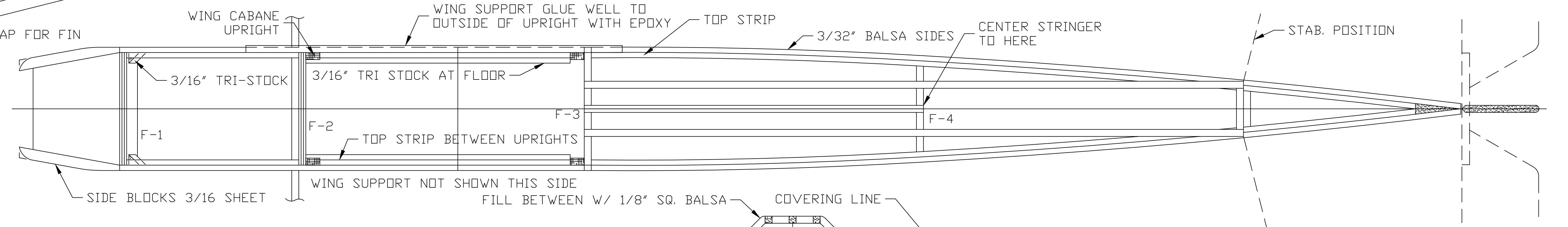
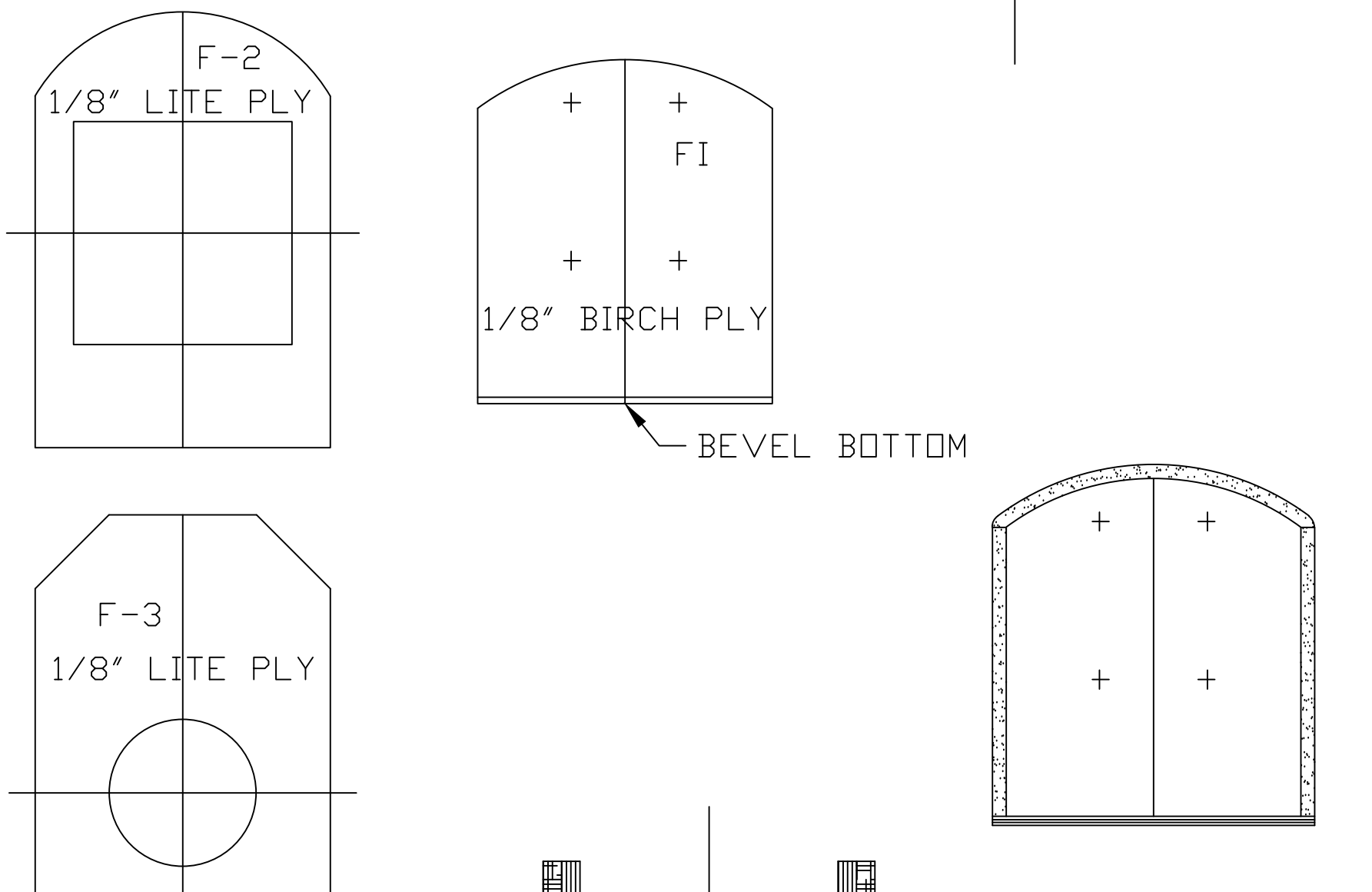
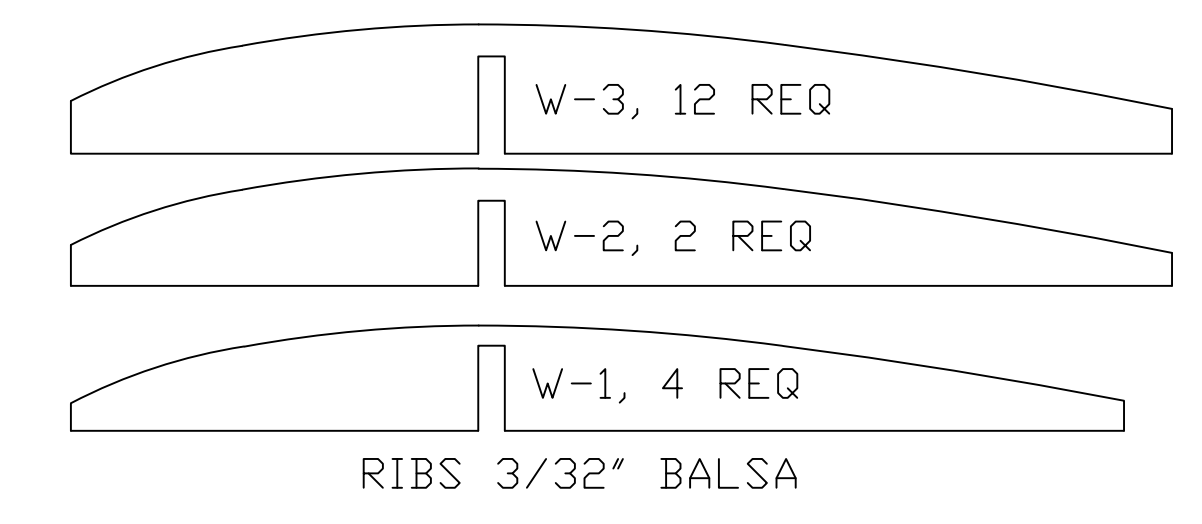
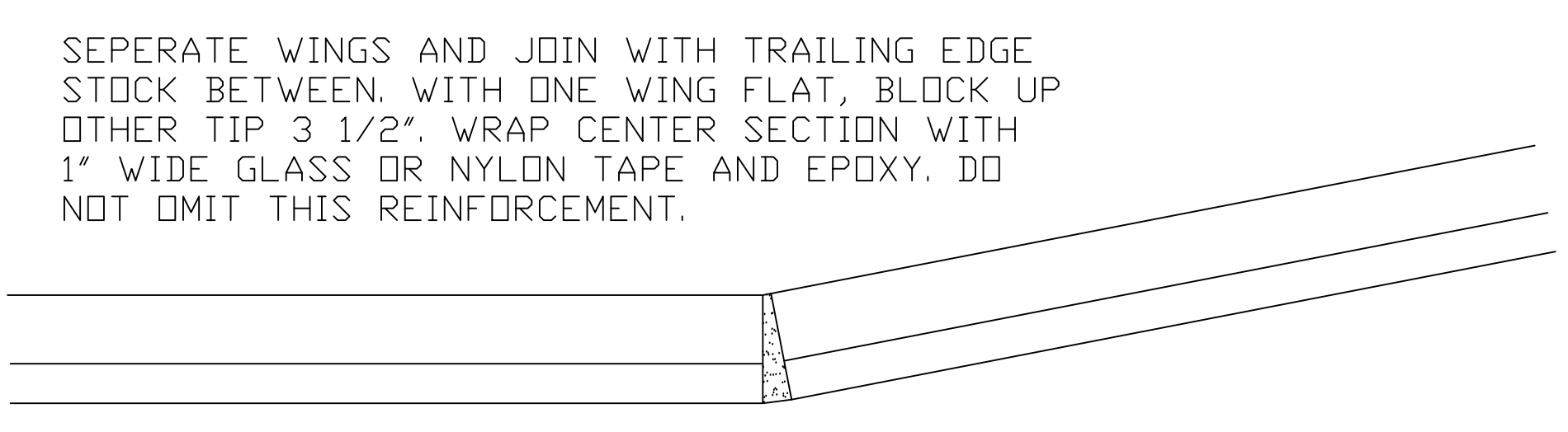
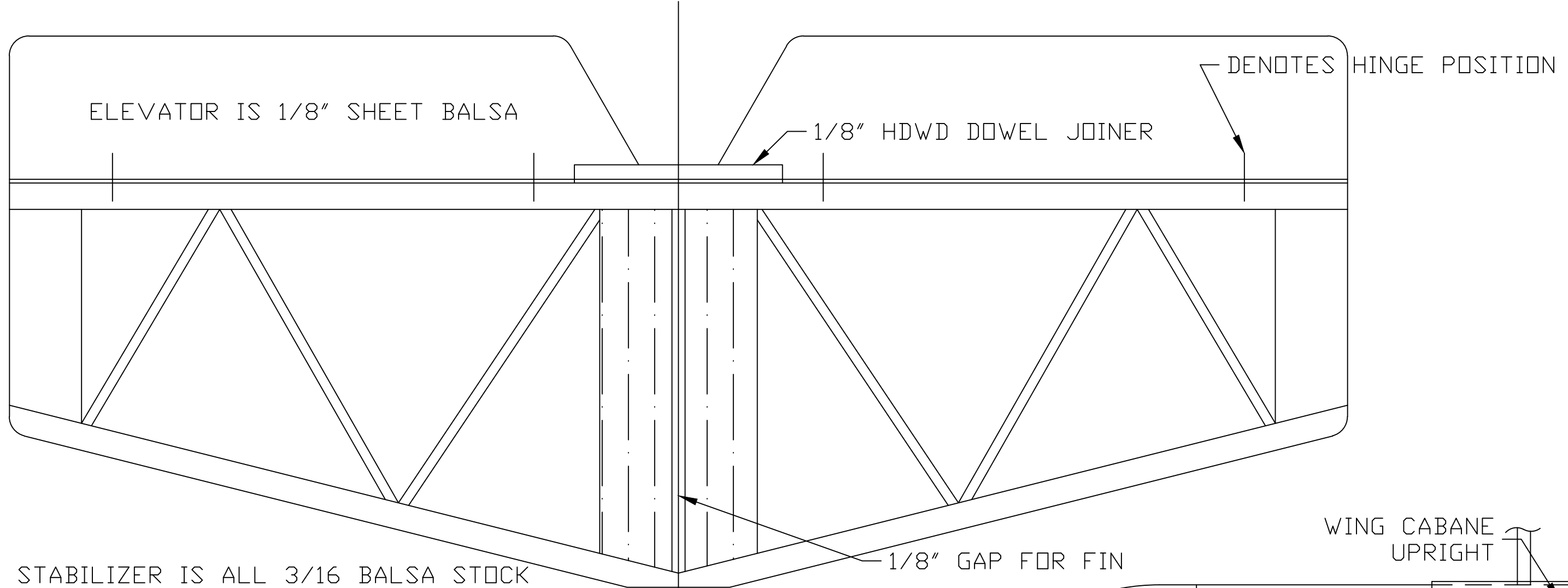
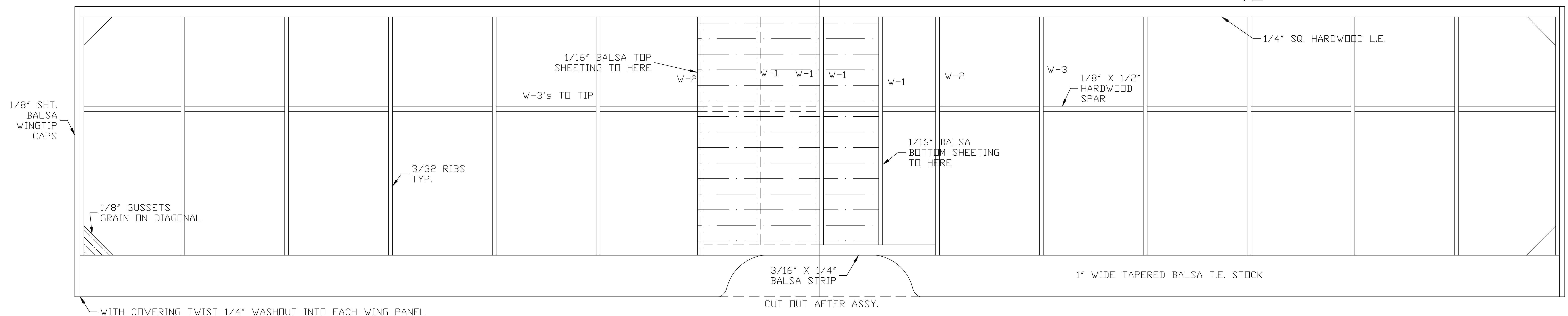


TRIM L.E. 30° AS SHOWN BEFORE ASSY.



QUEUE-TEA
 1/2A PARASOL SPORT PLANE
 SPAN 36 INCHES
 AREA 250 SQ. INCHES
 16-20 OZ, 9.5 TO 11.5 OZ/SQ FT
 DESIGNED BY LEE RENAUD
 CAD D. FRITZKE 2009